



### FEATURES

- $\pm 2$  V to  $\pm 6$  V dual-supply operation
- 2 V to 12 V single-supply operation
- Automotive temperature range:  $-40^{\circ}\text{C}$  to  $+125^{\circ}\text{C}$
- $<0.2$  nA leakage currents
- 52  $\Omega$  on resistance over full signal range
- Rail-to-rail switching operation
- 16-lead LFCSP and TSSOP packages
- Typical power consumption:  $<0.1$   $\mu\text{W}$
- TTL-/CMOS-compatible inputs
- Package upgrades to 74HC4053 and MAX4053/MAX4583

### APPLICATIONS

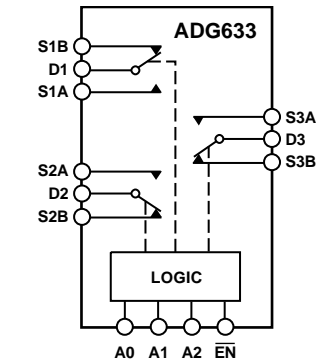
- Automotive applications
- Automatic test equipment
- Data acquisition systems
- Battery-powered systems
- Communications systems
- Audio and video signal routing
- Relay replacement
- Sample-and-hold systems
- Industrial control systems

### GENERAL DESCRIPTION

The ADG633 is a low voltage CMOS device comprising three independently selectable single-pole, double-throw (SPDT) switches. The device is fully specified for  $\pm 5$  V, +5 V, and +3 V supplies. The ADG633 switches are turned on with a logic low (or high) on the appropriate control input. Each switch conducts equally well in both directions when on and has an input signal range that extends to the supplies. An  $\overline{\text{EN}}$  input is used to enable or disable the device. When the device is disabled, all channels are switched off.

The ADG633 is designed on an enhanced process that provides lower power dissipation, yet is capable of high switching speeds. Low power consumption and an operating supply range of 2 V to 12 V make the ADG633 ideal for battery-powered, portable instruments. All channels exhibit break-before-make switching action, preventing momentary shorting when switching channels.

### FUNCTIONAL BLOCK DIAGRAM



SWITCHES SHOWN FOR A LOGIC 1 INPUT.

Figure 1.

03275-001

All digital inputs have 0.8 V to 2.4 V logic thresholds, ensuring TTL/CMOS logic compatibility when using single +5 V or dual  $\pm 5$  V supplies.

The ADG633 is available in a small, 16-lead TSSOP package and a 16-lead, 4 mm  $\times$  4 mm LFCSP package.

### PRODUCT HIGHLIGHTS

1. Single- and dual-supply operation. The ADG633 offers high performance and is fully specified and guaranteed with  $\pm 5$  V, +5 V, and +3 V supply rails.
2. Automotive temperature range:  $-40^{\circ}\text{C}$  to  $+125^{\circ}\text{C}$ .
3. Guaranteed break-before-make switching action.
4. Low power consumption, typically  $<0.1$   $\mu\text{W}$ .
5. Small, 16-lead TSSOP and 16-lead, 4 mm  $\times$  4 mm LFCSP packages.

#### Rev. A

Information furnished by Analog Devices is believed to be accurate and reliable. However, no responsibility is assumed by Analog Devices for its use, nor for any infringements of patents or other rights of third parties that may result from its use. Specifications subject to change without notice. No license is granted by implication or otherwise under any patent or patent rights of Analog Devices. Trademarks and registered trademarks are the property of their respective owners.

# ADG633\* Product Page Quick Links

Last Content Update: 11/01/2016

---

## [Comparable Parts](#)

View a parametric search of comparable parts

## [Evaluation Kits](#)

- Evaluation Board for 16 lead TSSOP Devices in the Switch/Mux Portfolio

## [Documentation](#)

### **Data Sheet**

- ADG633: CMOS  $\pm 5$  V/ $\pm 5$  V/ $\pm 3$  V Triple SPDT Switch Data Sheet

### **User Guides**

- UG-945: Evaluation Board for 16-Lead TSSOP Devices in the Switches and Multiplexers Portfolio

## [Reference Designs](#)

- CN0312
- CN0363

## [Reference Materials](#)

### **Product Selection Guide**

- Switches and Multiplexers Product Selection Guide

### **Technical Articles**

- CMOS Switches Offer High Performance in Low Power, Wideband Applications
- Data-acquisition system uses fault protection
- Enhanced Multiplexing for MEMS Optical Cross Connects
- Temperature monitor measures three thermal zones

## [Design Resources](#)

- ADG633 Material Declaration
- PCN-PDN Information
- Quality And Reliability
- Symbols and Footprints

## [Discussions](#)

View all ADG633 EngineerZone Discussions

## [Sample and Buy](#)

Visit the product page to see pricing options

## [Technical Support](#)

Submit a technical question or find your regional support number

---

**TABLE OF CONTENTS**

|                                |   |  |    |
|--------------------------------|---|--|----|
| Features .....                 | 1 | Absolute Maximum Ratings .....                   | 6  |
| Applications.....              | 1 | ESD Caution.....                                 | 6  |
| Functional Block Diagram ..... | 1 | Pin Configuration and Function Descriptions..... | 7  |
| General Description .....      | 1 | Typical Performance Characteristics .....        | 8  |
| Product Highlights .....       | 1 | Terminology .....                                | 11 |
| Revision History .....         | 2 | Test Circuits.....                               | 12 |
| Specifications.....            | 3 | Outline Dimensions .....                         | 14 |
| Dual-Supply Operation .....    | 3 | Ordering Guide .....                             | 14 |
| Single-Supply Operation .....  | 4 |  |    |

**REVISION HISTORY**

**11/09—Rev. 0 to Rev. A**

|  |    |
|--|----|
| Changes to Table 4.....                      | 6  |
| Added Table 5; Renumbered Sequentially ..... | 7  |
| Changes to Table 6.....                      | 7  |
| Update Outline Dimensions .....              | 14 |
| Changes to Ordering Guide .....              | 14 |

**2/03—Revision 0: Initial Version**

# SPECIFICATIONS

## DUAL-SUPPLY OPERATION

$V_{DD} = +5\text{ V}$ ,  $V_{SS} = -5\text{ V}$ ,  $GND = 0\text{ V}$ ,  $T_A = -40^\circ\text{C}$  to  $+125^\circ\text{C}$ , unless otherwise noted.

Table 1.

| Parameter  | +25°C       | B Version<br>−40°C to +85°C | Y Version<br>−40°C to +125°C | Unit              | Test Conditions/Comments   |
|--|-------------|-----------------------------|------------------------------|-------------------|--|
| <b>ANALOG SWITCH</b>                                     |             |                             |                              |                   |  |
| Analog Signal Range                                      |             |                             | $V_{SS}$ to $V_{DD}$         | V                 | $V_{DD} = +4.5\text{ V}$ , $V_{SS} = -4.5\text{ V}$  |
| On Resistance, $R_{ON}$                                  | 52          |                             |                              | $\Omega$ typ      | $V_S = \pm 4.5\text{ V}$ , $I_S = 1\text{ mA}$ ; see Figure 20                                 |
|  | 75          | 90                          | 100                          | $\Omega$ max      | $V_S = \pm 4.5\text{ V}$ , $I_S = 1\text{ mA}$ ; see Figure 20                                 |
| On-Resistance Match<br>Between Channels, $\Delta R_{ON}$ | 0.8         |                             |                              | $\Omega$ typ      | $V_S = +3.5\text{ V}$ , $I_S = 1\text{ mA}$  |
|  | 1.3         | 1.8                         | 2                            | $\Omega$ max      | $V_S = +3.5\text{ V}$ , $I_S = 1\text{ mA}$  |
| On-Resistance Flatness, $R_{FLAT(ON)}$                   | 9           |                             |                              | $\Omega$ typ      | $V_{DD} = +5\text{ V}$ , $V_{SS} = -5\text{ V}$ , $V_S = \pm 3\text{ V}$ , $I_S = 1\text{ mA}$ |
|  | 12          | 13                          | 14                           | $\Omega$ max      | $V_{DD} = +5\text{ V}$ , $V_{SS} = -5\text{ V}$ , $V_S = \pm 3\text{ V}$ , $I_S = 1\text{ mA}$ |
| <b>LEAKAGE CURRENTS</b>                                  |             |                             |                              |                   |  |
| Source Off Leakage, $I_{S(OFF)}$                         | $\pm 0.005$ |                             |                              | nA typ            | $V_{DD} = +5.5\text{ V}$ , $V_{SS} = -5.5\text{ V}$  |
|  | $\pm 0.2$   |                             | $\pm 5$                      | nA max            | $V_D = \pm 4.5\text{ V}$ , $V_S = \mp 4.5\text{ V}$ ; see Figure 21                            |
| Drain Off Leakage, $I_{D(OFF)}$                          | $\pm 0.005$ |                             |                              | nA typ            | $V_D = \pm 4.5\text{ V}$ , $V_S = \mp 4.5\text{ V}$ ; see Figure 22                            |
|  | $\pm 0.2$   |                             | $\pm 5$                      | nA max            | $V_D = \pm 4.5\text{ V}$ , $V_S = \mp 4.5\text{ V}$ ; see Figure 22                            |
| Channel On Leakage, $I_{D(ON)}$ , $I_{S(ON)}$            | $\pm 0.005$ |                             |                              | nA typ            | $V_D = V_S = \pm 4.5\text{ V}$ ; see Figure 23   |
|  | $\pm 0.2$   |                             | $\pm 5$                      | nA max            | $V_D = V_S = \pm 4.5\text{ V}$ ; see Figure 23   |
| <b>DIGITAL INPUTS</b>                                    |             |                             |                              |                   |  |
| Input High Voltage, $V_{INH}$                            |             |                             | 2.4                          | V min             |  |
| Input Low Voltage, $V_{INL}$                             |             |                             | 0.8                          | V max             |  |
| Input Current, $I_{INL}$ or $I_{INH}$                    | 0.005       |                             |                              | $\mu\text{A}$ typ | $V_{IN} = V_{INL}$ or $V_{INH}$  |
|  |             |                             | $\pm 1$                      | $\mu\text{A}$ max | $V_{IN} = V_{INL}$ or $V_{INH}$  |
| Digital Input Capacitance, $C_{IN}$                      | 2           |                             |                              | pF typ            |  |
| <b>DYNAMIC CHARACTERISTICS<sup>1</sup></b>               |             |                             |                              |                   |  |
| $t_{TRANSITION}$   | 60          |                             |                              | ns typ            | $R_L = 300\ \Omega$ , $C_L = 35\text{ pF}$ , $V_S = 3\text{ V}$ ; see Figure 24                |
|  | 90          | 110                         | 130                          | ns max            | $R_L = 300\ \Omega$ , $C_L = 35\text{ pF}$ , $V_S = 3\text{ V}$ ; see Figure 24                |
| $t_{ON}(\overline{EN})$                                  | 70          |                             |                              | ns typ            | $R_L = 300\ \Omega$ , $C_L = 35\text{ pF}$ , $V_S = 3\text{ V}$ ; see Figure 26                |
|  | 95          | 120                         | 135                          | ns max            | $R_L = 300\ \Omega$ , $C_L = 35\text{ pF}$ , $V_S = 3\text{ V}$ ; see Figure 26                |
| $t_{OFF}(\overline{EN})$                                 | 25          |                             |                              | ns typ            | $R_L = 300\ \Omega$ , $C_L = 35\text{ pF}$ , $V_S = 3\text{ V}$ ; see Figure 26                |
|  | 40          | 45                          | 50                           | ns max            | $R_L = 300\ \Omega$ , $C_L = 35\text{ pF}$ , $V_S = 3\text{ V}$ ; see Figure 26                |
| Break-Before-Make Time Delay, $t_{BBM}$                  | 40          |                             |                              | ns typ            | $R_L = 300\ \Omega$ , $C_L = 35\text{ pF}$ , $V_{S1} = V_{S2} = 3\text{ V}$ ; see Figure 25    |
|  |             |                             | 10                           | ns min            | $R_L = 300\ \Omega$ , $C_L = 35\text{ pF}$ , $V_{S1} = V_{S2} = 3\text{ V}$ ; see Figure 25    |
| Charge Injection   | 2           |                             |                              | pC typ            | $V_S = 0\text{ V}$ , $R_S = 0\ \Omega$ , $C_L = 1\text{ nF}$ ; see Figure 27                   |
|  | 4           |                             |                              | pC max            | $V_S = 0\text{ V}$ , $R_S = 0\ \Omega$ , $C_L = 1\text{ nF}$ ; see Figure 27                   |
| Off Isolation  | −90         |                             |                              | dB typ            | $R_L = 50\ \Omega$ , $C_L = 5\text{ pF}$ , $f = 1\text{ MHz}$ ; see Figure 28                  |
| Total Harmonic Distortion, THD + N                       | 0.025       |                             |                              | % typ             | $R_L = 600\ \Omega$ , $2\text{ V p-p}$ , $f = 20\text{ Hz}$ to $20\text{ kHz}$                 |
| Channel-to-Channel Crosstalk                             | −90         |                             |                              | dB typ            | $R_L = 50\ \Omega$ , $C_L = 5\text{ pF}$ , $f = 1\text{ MHz}$ ; see Figure 30                  |
| −3 dB Bandwidth  | 580         |                             |                              | MHz typ           | $R_L = 50\ \Omega$ , $C_L = 5\text{ pF}$ ; see Figure 29                                       |
| $C_{S(OFF)}$   | 4           |                             |                              | pF typ            | $f = 1\text{ MHz}$   |
| $C_{D(OFF)}$   | 7           |                             |                              | pF typ            | $f = 1\text{ MHz}$   |
| $C_{D(ON)}$ , $C_{S(ON)}$                                | 12          |                             |                              | pF typ            | $f = 1\text{ MHz}$   |
| <b>POWER REQUIREMENTS</b>                                |             |                             |                              |                   |  |
| $I_{DD}$   | 0.01        |                             |                              | $\mu\text{A}$ typ | $V_{DD} = +5.5\text{ V}$ , $V_{SS} = -5.5\text{ V}$  |
|  |             |                             | 1                            | $\mu\text{A}$ max | Digital inputs = 0 V or 5.5 V  |
| $I_{SS}$   | 0.01        |                             |                              | $\mu\text{A}$ typ | Digital inputs = 0 V or 5.5 V  |
|  |             |                             | 1                            | $\mu\text{A}$ max | Digital inputs = 0 V or 5.5 V  |

<sup>1</sup> Guaranteed by design; not subject to production test.

# ADG633

## SINGLE-SUPPLY OPERATION

$V_{DD} = 5\text{ V}$ ,  $V_{SS} = 0\text{ V}$ ,  $GND = 0\text{ V}$ ,  $T_A = -40^\circ\text{C}$  to  $+125^\circ\text{C}$ , unless otherwise noted.

Table 2.

| Parameter  | +25°C       | B Version<br>–40°C to +85°C | Y Version<br>–40°C to +125°C | Unit              | Test Conditions/Comments   |
|--|-------------|-----------------------------|------------------------------|-------------------|--|
| <b>ANALOG SWITCH</b>                                     |             |                             |                              |                   |  |
| Analogue Signal Range                                    |             |                             | 0 to $V_{DD}$                | V                 | $V_{DD} = 4.5\text{ V}$ , $V_{SS} = 0\text{ V}$  |
| On Resistance, $R_{ON}$                                  | 85          |                             |                              | $\Omega$ typ      | $V_S = 0\text{ V}$ to $4.5\text{ V}$ , $I_S = 1\text{ mA}$ ; see Figure 20                                   |
|  | 150         | 160                         | 200                          | $\Omega$ max      | $V_S = 0\text{ V}$ to $4.5\text{ V}$ , $I_S = 1\text{ mA}$ ; see Figure 20                                   |
| On-Resistance Match<br>Between Channels, $\Delta R_{ON}$ | 4.5         |                             |                              | $\Omega$ typ      | $V_S = +3.5\text{ V}$ , $I_S = 1\text{ mA}$  |
|  | 8           | 9                           | 10                           | $\Omega$ max      | $V_S = +3.5\text{ V}$ , $I_S = 1\text{ mA}$  |
| On-Resistance Flatness, $R_{FLAT(ON)}$                   | 13          | 14                          | 16                           | $\Omega$ typ      | $V_{DD} = 5\text{ V}$ , $V_{SS} = 0\text{ V}$ , $V_S = 1.5\text{ V}$ to $4\text{ V}$ , $I_S = 1\text{ mA}$   |
| <b>LEAKAGE CURRENTS</b>                                  |             |                             |                              |                   |  |
| Source Off Leakage, $I_{S(OFF)}$                         | $\pm 0.005$ |                             |                              | nA typ            | $V_{DD} = 5.5\text{ V}$<br>$V_S = 1\text{ V}/4.5\text{ V}$ , $V_D = 4.5\text{ V}/1\text{ V}$ ; see Figure 21 |
|  | $\pm 0.2$   |                             | $\pm 5$                      | nA max            | $V_S = 1\text{ V}/4.5\text{ V}$ , $V_D = 4.5\text{ V}/1\text{ V}$ ; see Figure 21                            |
| Drain Off Leakage, $I_{D(OFF)}$                          | $\pm 0.005$ |                             |                              | nA typ            | $V_S = 1\text{ V}/4.5\text{ V}$ , $V_D = 4.5\text{ V}/1\text{ V}$ ; see Figure 22                            |
|  | $\pm 0.2$   |                             | $\pm 5$                      | nA max            | $V_S = 1\text{ V}/4.5\text{ V}$ , $V_D = 4.5\text{ V}/1\text{ V}$ ; see Figure 22                            |
| Channel On Leakage, $I_{D(ON)}$ , $I_{S(ON)}$            | $\pm 0.005$ |                             |                              | nA typ            | $V_S = V_D = 1\text{ V}$ or $4.5\text{ V}$ ; see Figure 23   |
|  | $\pm 0.2$   |                             | $\pm 5$                      | nA max            | $V_S = V_D = 1\text{ V}$ or $4.5\text{ V}$ ; see Figure 23   |
| <b>DIGITAL INPUTS</b>                                    |             |                             |                              |                   |  |
| Input High Voltage, $V_{INH}$                            |             |                             | 2.4                          | V min             |  |
| Input Low Voltage, $V_{INL}$                             |             |                             | 0.8                          | V max             |  |
| Input Current, $I_{INL}$ or $I_{INH}$                    | 0.005       |                             |                              | $\mu\text{A}$ typ | $V_{IN} = V_{INL}$ or $V_{INH}$  |
|  |             |                             | $\pm 1$                      | $\mu\text{A}$ max | $V_{IN} = V_{INL}$ or $V_{INH}$  |
| Digital Input Capacitance, $C_{IN}$                      | 2           |                             |                              | pF typ            |  |
| <b>DYNAMIC CHARACTERISTICS<sup>1</sup></b>               |             |                             |                              |                   |  |
| $t_{TRANSITION}$   | 100         |                             |                              | ns typ            | $R_L = 300\ \Omega$ , $C_L = 35\text{ pF}$ , $V_S = 3\text{ V}$ ; see Figure 24                              |
|  | 150         | 190                         | 220                          | ns max            | $R_L = 300\ \Omega$ , $C_L = 35\text{ pF}$ , $V_S = 3\text{ V}$ ; see Figure 24                              |
| $t_{ON}(\overline{EN})$                                  | 100         |                             |                              | ns typ            | $R_L = 300\ \Omega$ , $C_L = 35\text{ pF}$ , $V_S = 3\text{ V}$ ; see Figure 26                              |
|  | 150         | 190                         | 220                          | ns max            | $R_L = 300\ \Omega$ , $C_L = 35\text{ pF}$ , $V_S = 3\text{ V}$ ; see Figure 26                              |
| $t_{OFF}(\overline{EN})$                                 | 25          |                             |                              | ns typ            | $R_L = 300\ \Omega$ , $C_L = 35\text{ pF}$ , $V_S = 3\text{ V}$ ; see Figure 26                              |
|  | 35          | 45                          | 50                           | ns max            | $R_L = 300\ \Omega$ , $C_L = 35\text{ pF}$ , $V_S = 3\text{ V}$ ; see Figure 26                              |
| Break-Before-Make Time Delay, $t_{BBM}$                  | 90          |                             |                              | ns typ            | $R_L = 300\ \Omega$ , $C_L = 35\text{ pF}$ , $V_{S1} = V_{S2} = 3\text{ V}$ ; see Figure 25                  |
|  |             |                             | 10                           | ns min            | $R_L = 300\ \Omega$ , $C_L = 35\text{ pF}$ , $V_{S1} = V_{S2} = 3\text{ V}$ ; see Figure 25                  |
| Charge Injection   | 0.5         |                             |                              | pC typ            | $V_S = 2.5\text{ V}$ , $R_S = 0\ \Omega$ , $C_L = 1\text{ nF}$ ; see Figure 27                               |
|  | 1           |                             |                              | pC max            | $V_S = 2.5\text{ V}$ , $R_S = 0\ \Omega$ , $C_L = 1\text{ nF}$ ; see Figure 27                               |
| Off Isolation  | –90         |                             |                              | dB typ            | $R_L = 50\ \Omega$ , $C_L = 5\text{ pF}$ , $f = 1\text{ MHz}$ ; see Figure 28                                |
| Channel-to-Channel Crosstalk                             | –90         |                             |                              | dB typ            | $R_L = 50\ \Omega$ , $C_L = 5\text{ pF}$ , $f = 1\text{ MHz}$ ; see Figure 30                                |
| –3 dB Bandwidth  | 520         |                             |                              | MHz typ           | $R_L = 50\ \Omega$ , $C_L = 5\text{ pF}$ ; see Figure 29   |
| $C_{S(OFF)}$   | 5           |                             |                              | pF typ            | $f = 1\text{ MHz}$   |
| $C_{D(OFF)}$   | 8           |                             |                              | pF typ            | $f = 1\text{ MHz}$   |
| $C_{D(ON)}$ , $C_{S(ON)}$                                | 12          |                             |                              | pF typ            | $f = 1\text{ MHz}$   |
| <b>POWER REQUIREMENTS</b>                                |             |                             |                              |                   |  |
| $I_{DD}$   | 0.01        |                             |                              | $\mu\text{A}$ typ | $V_{DD} = 5.5\text{ V}$<br>Digital inputs = 0 V or 5.5 V   |
|  |             |                             | 1                            | $\mu\text{A}$ max | Digital inputs = 0 V or 5.5 V  |

<sup>1</sup> Guaranteed by design; not subject to production test.

$V_{DD} = 2.7 \text{ V to } 3.6 \text{ V}$ ,  $V_{SS} = 0 \text{ V}$ ,  $GND = 0 \text{ V}$ ,  $T_A = -40^\circ\text{C to } +125^\circ\text{C}$ , unless otherwise noted.

**Table 3.**

| Parameter  | B Version   |                | Y Version       | Unit              | Test Conditions/Comments   |
|--|-------------|----------------|-----------------|-------------------|--|
|  | +25°C       | -40°C to +85°C | -40°C to +125°C |                   |  |
| <b>ANALOG SWITCH</b>                                     |             |                |                 |                   |  |
| Analog Signal Range                                      |             |                | 0 to $V_{DD}$   | V                 | $V_{DD} = 2.7 \text{ V}$ , $V_{SS} = 0 \text{ V}$  |
| On Resistance, $R_{ON}$                                  | 185         |                |                 | $\Omega$ typ      | $V_S = 0 \text{ V to } 2.7 \text{ V}$ , $I_S = 0.1 \text{ mA}$ ; see Figure 20                 |
|  | 300         | 350            | 400             | $\Omega$ max      | $V_S = 0 \text{ V to } 2.7 \text{ V}$ , $I_S = 0.1 \text{ mA}$ ; see Figure 20                 |
| On-Resistance Match<br>Between Channels, $\Delta R_{ON}$ | 2           |                |                 | $\Omega$ typ      | $V_S = +1.5 \text{ V}$ , $I_S = 0.1 \text{ mA}$  |
|  | 4.5         | 6              | 7               | $\Omega$ max      | $V_S = +1.5 \text{ V}$ , $I_S = 0.1 \text{ mA}$  |
| <b>LEAKAGE CURRENTS</b>                                  |             |                |                 |                   |  |
| Source Off Leakage, $I_{S(OFF)}$                         | $\pm 0.005$ |                |                 | nA typ            | $V_{DD} = 3.3 \text{ V}$   |
|  | $\pm 0.2$   |                |                 | nA max            | $V_S = 1 \text{ V/3 V}$ , $V_D = 3 \text{ V/1 V}$ ; see Figure 21                              |
| Drain Off Leakage, $I_{D(OFF)}$                          | $\pm 0.005$ |                | $\pm 5$         | nA typ            | $V_S = 1 \text{ V/3 V}$ , $V_D = 3 \text{ V/1 V}$ ; see Figure 21                              |
|  | $\pm 0.2$   |                |                 | nA max            | $V_S = 1 \text{ V/3 V}$ , $V_D = 3 \text{ V/1 V}$ ; see Figure 22                              |
| Channel On Leakage, $I_{D(ON)}$ , $I_{S(ON)}$            | $\pm 0.005$ |                | $\pm 5$         | nA typ            | $V_S = V_D = 1 \text{ V or } 3 \text{ V}$ ; see Figure 23                                      |
|  | $\pm 0.2$   |                |                 | nA max            | $V_S = V_D = 1 \text{ V or } 3 \text{ V}$ ; see Figure 23                                      |
| <b>DIGITAL INPUTS</b>                                    |             |                |                 |                   |  |
| Input High Voltage, $V_{INH}$                            |             |                | 2.0             | V min             |  |
| Input Low Voltage, $V_{INL}$                             |             |                | 0.5             | V max             |  |
| Input Current, $I_{INL}$ or $I_{INH}$                    | 0.005       |                |                 | $\mu\text{A}$ typ | $V_{IN} = V_{INL}$ or $V_{INH}$  |
|  |             |                | $\pm 1$         | $\mu\text{A}$ max | $V_{IN} = V_{INL}$ or $V_{INH}$  |
| Digital Input Capacitance, $C_{IN}$                      | 2           |                |                 | pF typ            |  |
| <b>DYNAMIC CHARACTERISTICS<sup>1</sup></b>               |             |                |                 |                   |  |
| $t_{TRANSITION}$   | 170         |                |                 | ns typ            | $R_L = 300 \Omega$ , $C_L = 35 \text{ pF}$ , $V_S = 1.5 \text{ V}$ ; see Figure 24             |
|  | 300         | 370            | 400             | ns max            | $R_L = 300 \Omega$ , $C_L = 35 \text{ pF}$ , $V_S = 1.5 \text{ V}$ ; see Figure 24             |
| $t_{ON}(\overline{EN})$                                  | 200         |                |                 | ns typ            | $R_L = 300 \Omega$ , $C_L = 35 \text{ pF}$ , $V_S = 1.5 \text{ V}$ ; see Figure 26             |
|  | 310         | 380            | 420             | ns max            | $R_L = 300 \Omega$ , $C_L = 35 \text{ pF}$ , $V_S = 1.5 \text{ V}$ ; see Figure 26             |
| $t_{OFF}(\overline{EN})$                                 | 30          |                |                 | ns typ            | $R_L = 300 \Omega$ , $C_L = 35 \text{ pF}$ , $V_S = 1.5 \text{ V}$ ; see Figure 26             |
|  | 40          | 55             | 75              | ns max            | $R_L = 300 \Omega$ , $C_L = 35 \text{ pF}$ , $V_S = 1.5 \text{ V}$ ; see Figure 26             |
| Break-Before-Make Time Delay, $t_{BBM}$                  | 180         |                |                 | ns typ            | $R_L = 300 \Omega$ , $C_L = 35 \text{ pF}$ , $V_{S1} = V_{S2} = 1.5 \text{ V}$ ; see Figure 25 |
|  |             |                | 10              | ns min            | $R_L = 300 \Omega$ , $C_L = 35 \text{ pF}$ , $V_{S1} = V_{S2} = 1.5 \text{ V}$ ; see Figure 25 |
| Charge Injection   | 1           |                |                 | pC typ            | $V_S = 1.5 \text{ V}$ , $R_S = 0 \Omega$ , $C_L = 1 \text{ nF}$ ; see Figure 27                |
|  | 2           |                |                 | pC max            | $V_S = 1.5 \text{ V}$ , $R_S = 0 \Omega$ , $C_L = 1 \text{ nF}$ ; see Figure 27                |
| Off Isolation  | -90         |                |                 | dB typ            | $R_L = 50 \Omega$ , $C_L = 5 \text{ pF}$ , $f = 1 \text{ MHz}$ ; see Figure 28                 |
| Channel-to-Channel Crosstalk                             | -90         |                |                 | dB typ            | $R_L = 50 \Omega$ , $C_L = 5 \text{ pF}$ , $f = 1 \text{ MHz}$ ; see Figure 30                 |
| -3 dB Bandwidth  | 500         |                |                 | MHz typ           | $R_L = 50 \Omega$ , $C_L = 5 \text{ pF}$ ; see Figure 29                                       |
| $C_{S(OFF)}$   | 5           |                |                 | pF typ            | $f = 1 \text{ MHz}$  |
| $C_{D(OFF)}$   | 8           |                |                 | pF typ            | $f = 1 \text{ MHz}$  |
| $C_{D(ON)}$ , $C_{S(ON)}$                                | 12          |                |                 | pF typ            | $f = 1 \text{ MHz}$  |
| <b>POWER REQUIREMENTS</b>                                |             |                |                 |                   |  |
| $I_{DD}$   | 0.01        |                |                 | $\mu\text{A}$ typ | $V_{DD} = 3.3 \text{ V}$   |
|  |             |                | 1               | $\mu\text{A}$ max | Digital inputs = 0 V or 3.3 V  |
|  |             |                |                 |                   | Digital inputs = 0 V or 3.3 V  |

<sup>1</sup> Guaranteed by design; not subject to production test.

## ABSOLUTE MAXIMUM RATINGS

T<sub>A</sub> = 25°C, unless otherwise noted.

Table 4.

| Parameter                             | Rating  |
|---------------------------------------|---|
| V <sub>DD</sub> to V <sub>SS</sub>    | 13 V  |
| V <sub>DD</sub> to GND                | -0.3 V to +13 V   |
| V <sub>SS</sub> to GND                | +0.3 V to -6.5 V  |
| Analog Inputs <sup>1</sup>            | V <sub>SS</sub> - 0.3 V to V <sub>DD</sub> + 0.3 V                      |
| Digital Inputs <sup>1</sup>           | GND - 0.3 V to V <sub>DD</sub> + 0.3 V or 10 mA, whichever occurs first |
| Peak Current, S or D                  | 40 mA (pulsed at 1 ms, 10% duty cycle maximum)                          |
| Continuous Current, S or D            | 20 mA   |
| Operating Temperature Range           | -40°C to +125°C   |
| Storage Temperature Range             | -65°C to +150°C   |
| Junction Temperature                  | 150°C   |
| θ <sub>JA</sub> Thermal Impedance     |   |
| 16-Lead TSSOP                         | 150.4°C/W   |
| 16-Lead LFCSP, 4-Layer Board          | 70°C/W  |
| Lead Soldering                        |   |
| Lead Temperature, Soldering (10 sec)  | 300°C   |
| IR Reflow, Peak Temperature (<20 sec) | 220°C   |
| (Pb-Free) Soldering                   |   |
| Reflow, Peak Temperature              | 260(+0/-5)°C  |
| Time at Peak Temperature              | 20 sec to 40 sec  |
| ESD                                   | 4 kV  |

<sup>1</sup>Overvoltages at Ax,  $\overline{EN}$ , S, or D are clamped by internal diodes. Current should be limited to the maximum ratings given.

Stresses above those listed under Absolute Maximum Ratings may cause permanent damage to the device. This is a stress rating only; functional operation of the device at these or any other conditions above those indicated in the operational section of this specification is not implied. Exposure to absolute maximum rating conditions for extended periods may affect device reliability.

Only one absolute maximum rating can be applied at any one time.

### ESD CAUTION



**ESD (electrostatic discharge) sensitive device.** Charged devices and circuit boards can discharge without detection. Although this product features patented or proprietary protection circuitry, damage may occur on devices subjected to high energy ESD. Therefore, proper ESD precautions should be taken to avoid performance degradation or loss of functionality.

## PIN CONFIGURATION AND FUNCTION DESCRIPTIONS

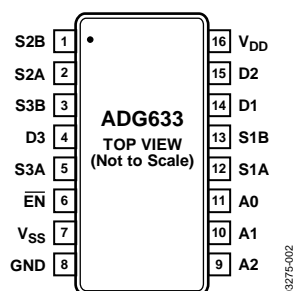
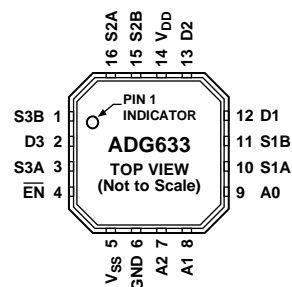


Figure 2. TSSOP Pin Configuration



NOTES  
1. THE EXPOSED PADDLE CAN BE LEFT FLOATING OR BE TIED TO  $V_{DD}$ ,  $V_{SS}$ , OR GND.

Figure 3. LFCSP Pin Configuration

Table 5. Pin Function Descriptions

| Pin No. |       | Mnemonic        | Description   |
|---------|-------|-----------------|---|
| TSSOP   | LFCSP |                 |   |
| 1       | 15    | S2B             | Source Terminal of Multiplexer 2. Can be an input or output.  |
| 2       | 16    | S2A             | Source Terminal of Multiplexer 2. Can be an input or output.  |
| 3       | 1     | S3B             | Source Terminal of Multiplexer 3. Can be an input or output.  |
| 4       | 2     | D3              | Drain Terminal of Multiplexer 3. Can be an input or output.   |
| 5       | 3     | S3A             | Source Terminal of Multiplexer 3. Can be an input or output.  |
| 6       | 4     | $\overline{EN}$ | Digital Control Input. Disables all multiplexers when set high.   |
| 7       | 5     | $V_{SS}$        | Most Negative Power Supply Terminal. Tie this pin to GND when using the device with single-supply voltages. |
| 8       | 6     | GND             | Ground (0 V) Reference.   |
| 9       | 7     | A2              | Digital Control Input.  |
| 10      | 8     | A1              | Digital Control Input.  |
| 11      | 9     | A0              | Digital Control Input.  |
| 12      | 10    | S1A             | Source Terminal of Multiplexer 1. Can be an input or output.  |
| 13      | 11    | S1B             | Source Terminal of Multiplexer 1. Can be an input or output.  |
| 14      | 12    | D1              | Drain Terminal of Multiplexer 1. Can be an input or output.   |
| 15      | 13    | D2              | Drain Terminal of Multiplexer 2. Can be an input or output.   |
| 16      | 14    | $V_{DD}$        | Most Positive Power Supply Terminal.  |
| N/A     | EP    | EP              | Exposed Paddle. The exposed paddle can be left floating or be tied to $V_{DD}$ , $V_{SS}$ , or GND.         |

Table 6. ADG633 Truth Table

| A2             | A1             | A0             | $\overline{EN}$ | Switch Condition |               |               |               |               |               |
|----------------|----------------|----------------|-----------------|------------------|---------------|---------------|---------------|---------------|---------------|
|                |                |                |                 | Switch S1A-D1    | Switch S1B-D1 | Switch S2A-D2 | Switch S2B-D2 | Switch S2A-D3 | Switch S3B-D3 |
| X <sup>1</sup> | X <sup>1</sup> | X <sup>1</sup> | 1               | Off              | Off           | Off           | Off           | Off           | Off           |
| 0              | 0              | 0              | 0               | On               | Off           | On            | Off           | On            | Off           |
| 0              | 0              | 1              | 0               | Off              | On            | On            | Off           | On            | Off           |
| 0              | 1              | 0              | 0               | On               | Off           | Off           | On            | On            | Off           |
| 0              | 1              | 1              | 0               | Off              | On            | Off           | On            | On            | Off           |
| 1              | 0              | 0              | 0               | On               | Off           | On            | Off           | Off           | On            |
| 1              | 0              | 1              | 0               | Off              | On            | On            | Off           | Off           | On            |
| 1              | 1              | 0              | 0               | On               | Off           | Off           | On            | Off           | On            |
| 1              | 1              | 1              | 0               | Off              | On            | Off           | On            | Off           | On            |

<sup>1</sup> X = the logic state does not matter; it can be either 0 or 1.



## TYPICAL PERFORMANCE CHARACTERISTICS

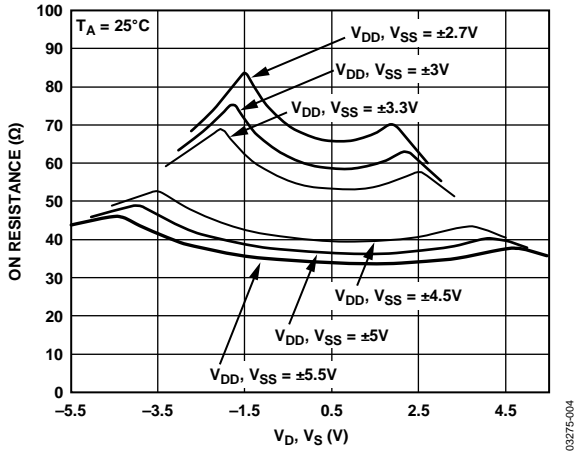


Figure 4. On Resistance vs.  $V_D$  ( $V_S$ ), Dual Supplies

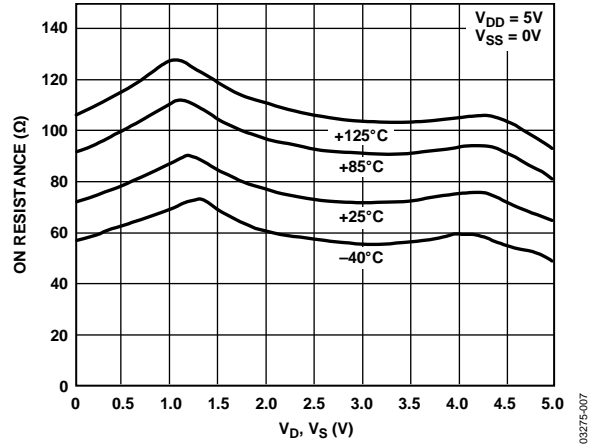


Figure 7. On Resistance vs.  $V_D$  ( $V_S$ ) for Various Temperatures, Single Supply

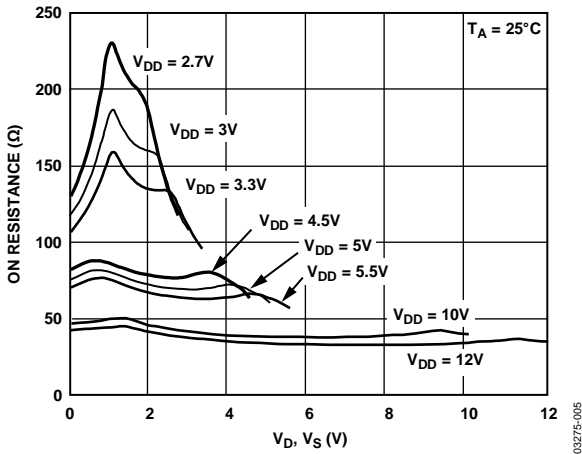


Figure 5. On Resistance vs.  $V_D$  ( $V_S$ ), Single Supply

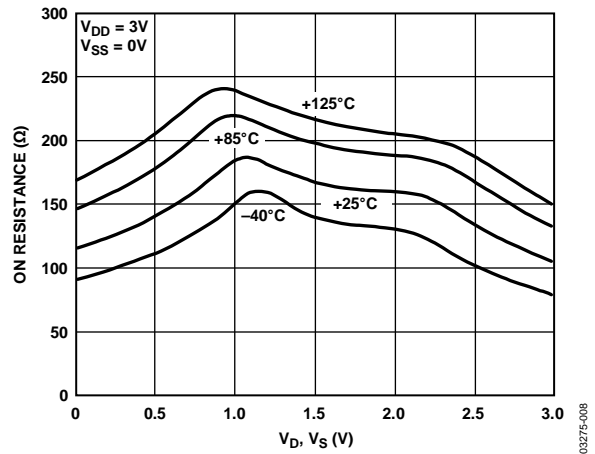


Figure 8. On Resistance vs.  $V_D$  ( $V_S$ ) for Various Temperatures, Single Supply

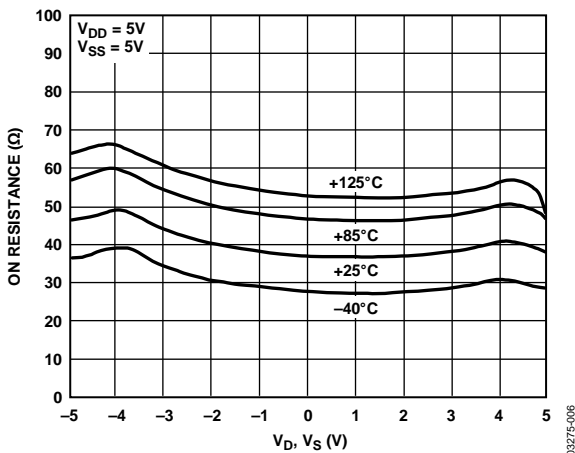


Figure 6. On Resistance vs.  $V_D$  ( $V_S$ ) for Various Temperatures, Dual Supplies

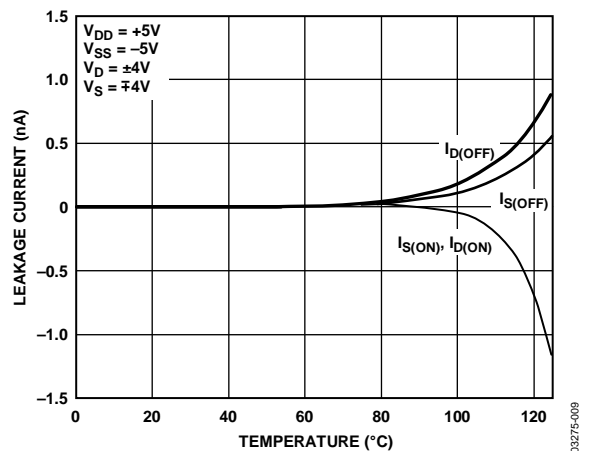


Figure 9. Leakage Current vs. Temperature, Dual Supplies

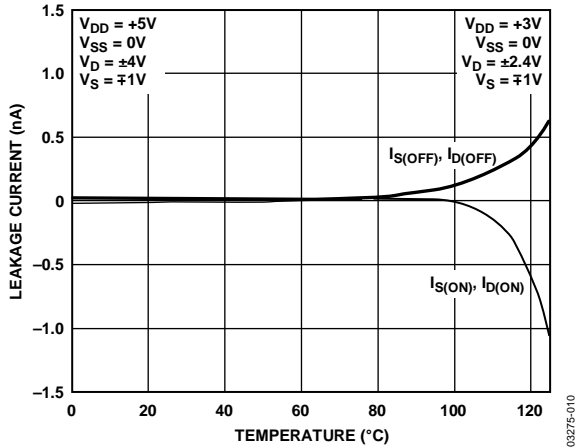


Figure 10. Leakage Current vs. Temperature, Single Supply

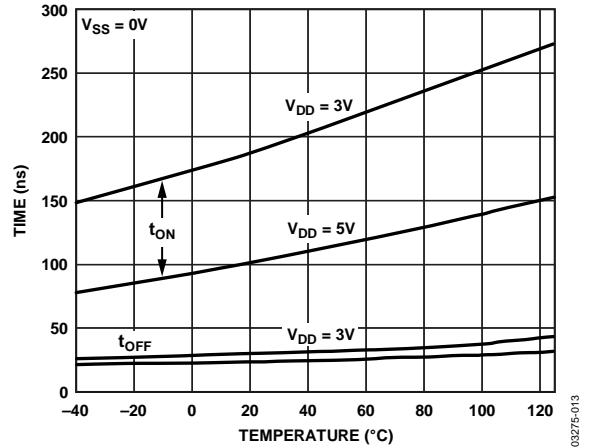


Figure 13.  $t_{ON}/t_{OFF}$  Times vs. Temperature, Single Supply

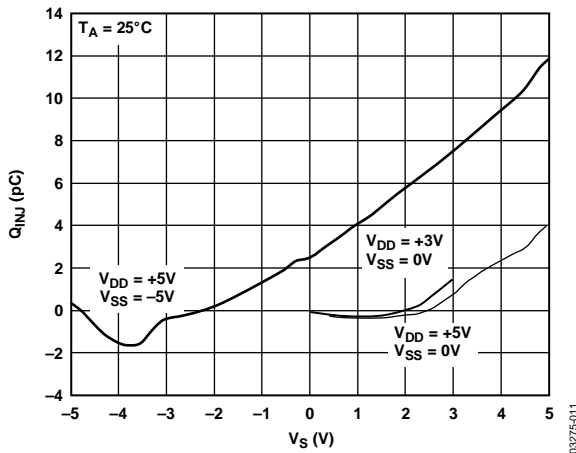


Figure 11. Charge Injection vs. Source Voltage

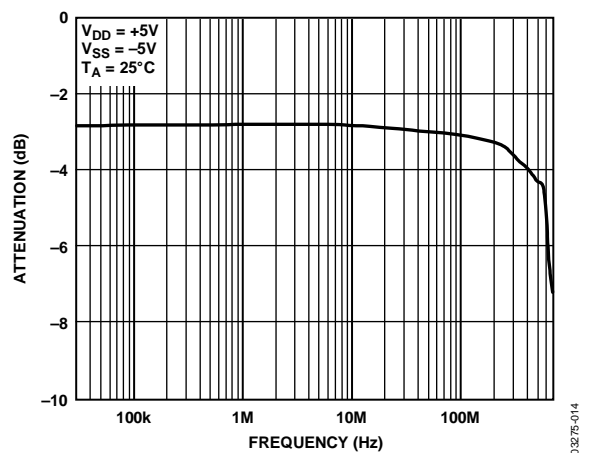


Figure 14. On Response vs. Frequency

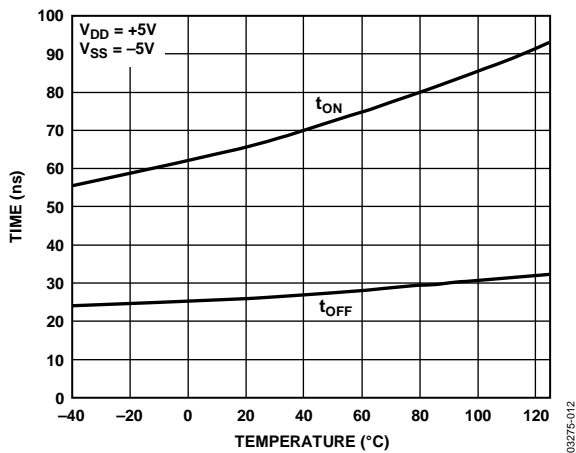


Figure 12.  $t_{ON}/t_{OFF}$  Times vs. Temperature, Dual Supplies

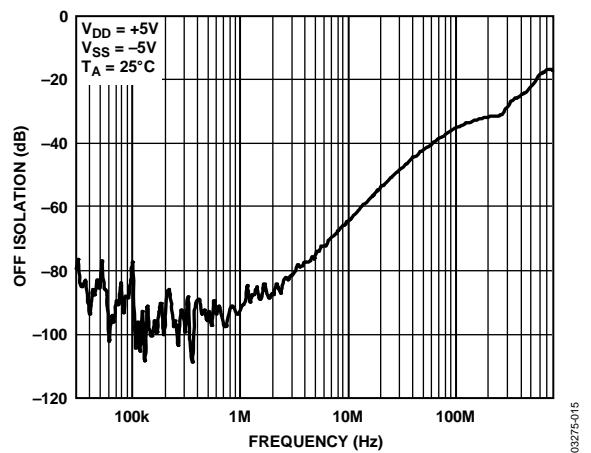


Figure 15. Off Isolation vs. Frequency

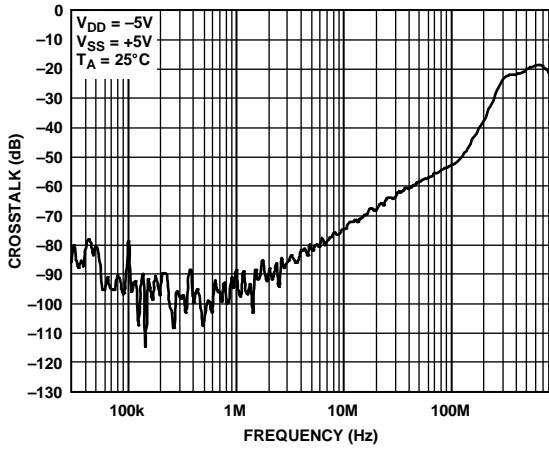


Figure 16. Crosstalk vs. Frequency

03275-016

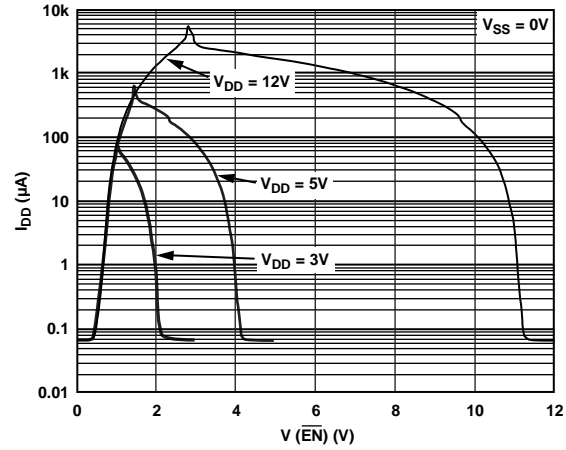


Figure 18.  $V_{DD}$  Current vs. Logic Level

03275-018

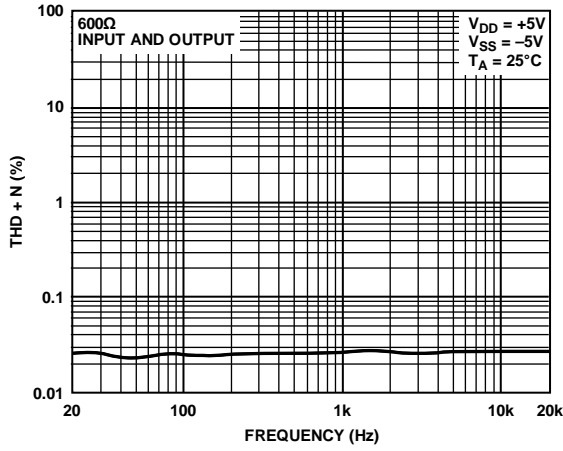


Figure 17. THD + Noise vs. Frequency

03275-017

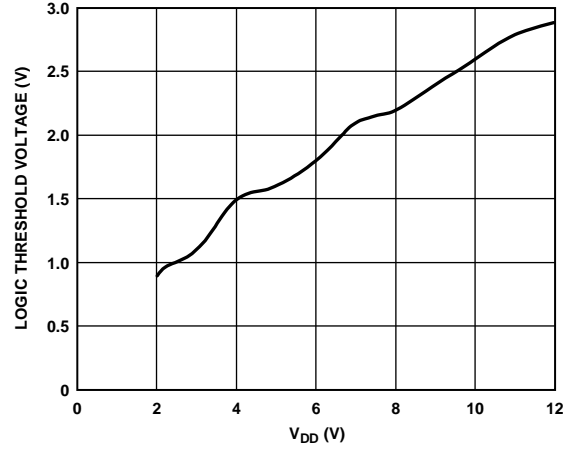


Figure 19. Logic Threshold Voltage vs.  $V_{DD}$

03275-019

## TERMINOLOGY

$V_{DD}$

Most positive power supply potential.

$V_{SS}$

Most negative power supply potential.

$I_{DD}$

Positive supply current.

$I_{SS}$

Negative supply current.

**GND**

Ground (0 V) reference.

**S**

Source terminal. Can be an input or output.

**D**

Drain terminal. Can be an input or output.

$A_x$

Logic control input.

$\overline{EN}$

Active low digital input. When  $\overline{EN}$  is high, the device is disabled and all switches are off. When  $\overline{EN}$  is low, the  $A_x$  logic inputs determine the on switches.

$V_D, V_S$

Analog voltage on Terminal D and Terminal S.

$R_{ON}$

Ohmic resistance between Terminal D and Terminal S.

$\Delta R_{ON}$

On-resistance match between any two channels, that is,  $R_{ONMAX} - R_{ONMIN}$ .

$R_{FLAT(ON)}$

Flatness is defined as the difference between the maximum and minimum value of on resistance as measured over the specified analog signal range.

$I_{S(OFF)}$

Source leakage current with the switch off.

$I_{D(OFF)}$

Drain leakage current with the switch off.

$I_{D(ON)}, I_{S(ON)}$

Channel leakage current with the switch on.

$V_{INL}$

Maximum input voltage for Logic 0.

$V_{INH}$

Minimum input voltage for Logic 1.

$I_{INL}, I_{INH}$

Input current of the digital input.

$C_{S(OFF)}$

Off switch source capacitance. Measured with reference to ground.

$C_{D(OFF)}$

Off switch drain capacitance. Measured with reference to ground.

$C_{D(ON)}, C_{S(ON)}$

On switch capacitance. Measured with reference to ground.

$C_{IN}$

Digital input capacitance.

$t_{ON}(\overline{EN})$

Delay between applying the digital control input and the output switching on (see Figure 26).

$t_{OFF}(\overline{EN})$

Delay between applying the digital control input and the output switching off (see Figure 26).

$t_{BBM}$

On time, measured between 80% points of both switches when switching from one address state to another.

### Charge Injection

A measure of the glitch impulse transferred from the digital input to the analog output during switching.

### Off Isolation

A measure of unwanted signal coupling through an off switch.

### Crosstalk

A measure of unwanted signal that is coupled through from one channel to another as a result of parasitic capacitance.

### Bandwidth

The frequency at which the output is attenuated by 3 dB.

### On Response

The frequency response of the on switch.

### Insertion Loss

The loss due to the on resistance of the switch.

## TEST CIRCUITS

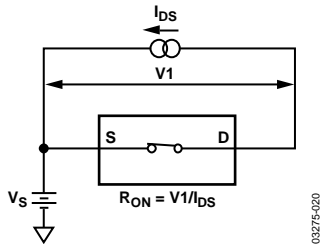


Figure 20. On Resistance

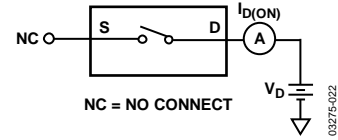


Figure 22. Drain Off Leakage

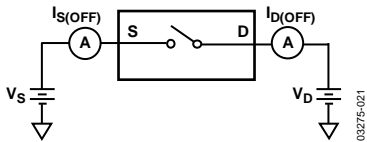


Figure 21. Source Off Leakage

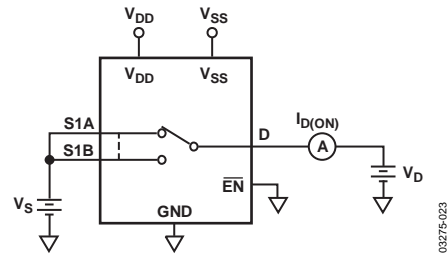


Figure 23. Channel On Leakage

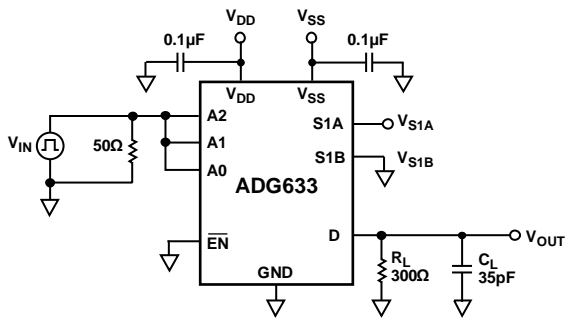
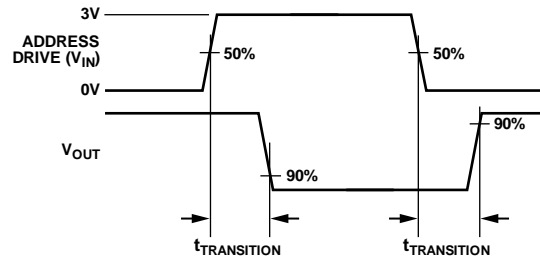


Figure 24. Transition Time,  $t_{\text{TRANSITION}}$



03275-024

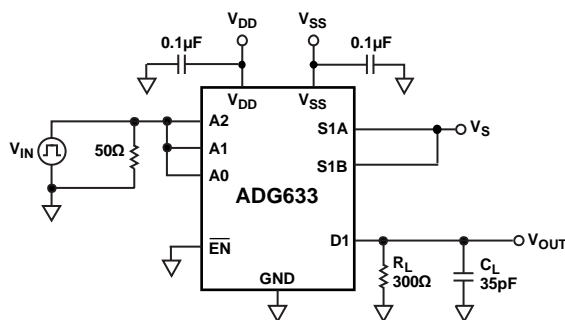
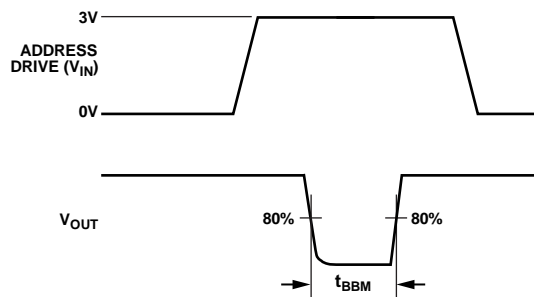


Figure 25. Break-Before-Make Delay,  $t_{\text{BBM}}$



03275-025

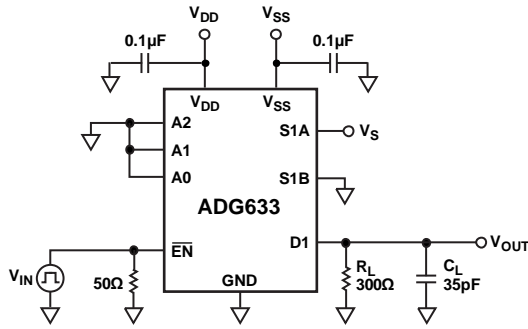
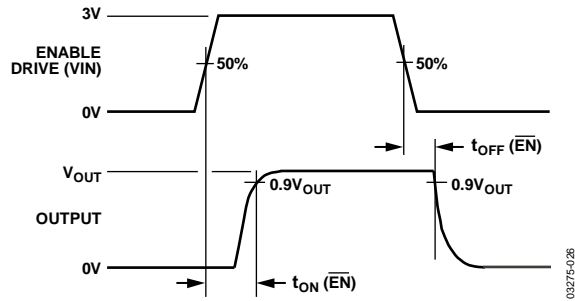


Figure 26. Enable Delay,  $t_{ON}(\overline{EN})$ ,  $t_{OFF}(\overline{EN})$



03275-026

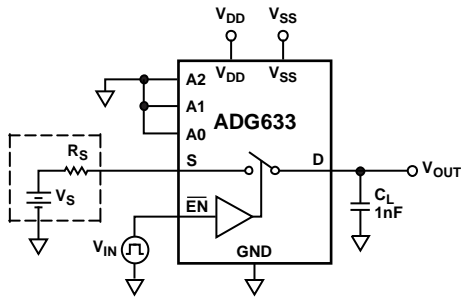
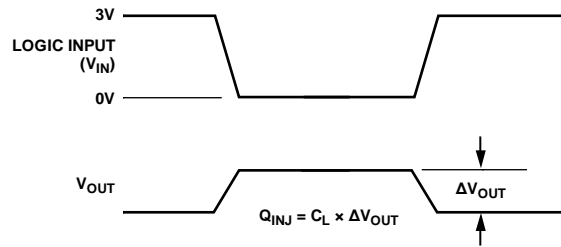


Figure 27. Charge Injection



03275-027

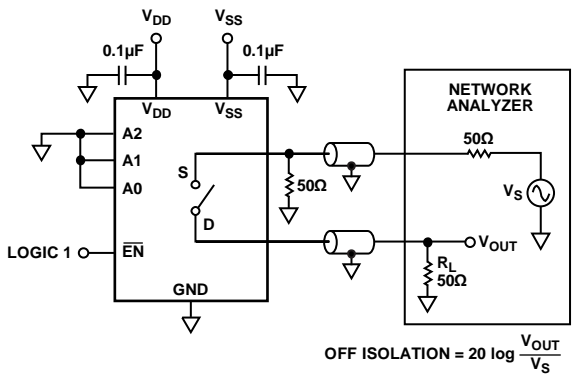


Figure 28. Off Isolation

$$\text{OFF ISOLATION} = 20 \log \frac{V_{OUT}}{V_S}$$

03275-028

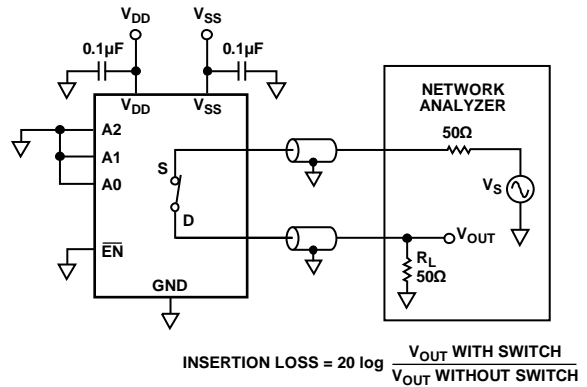


Figure 29. Bandwidth

$$\text{INSERTION LOSS} = 20 \log \frac{V_{OUT \text{ WITH SWITCH}}}{V_{OUT \text{ WITHOUT SWITCH}}}$$

03275-029

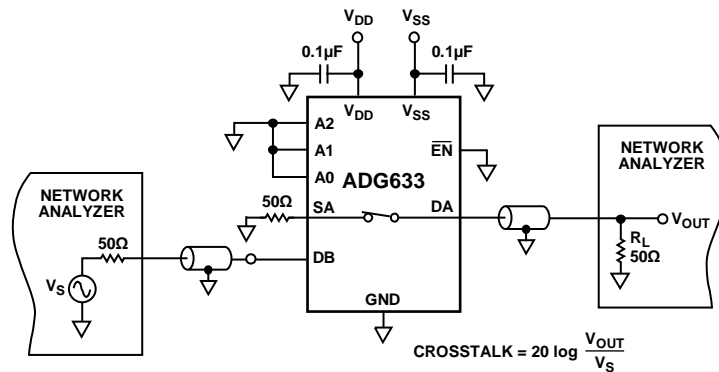
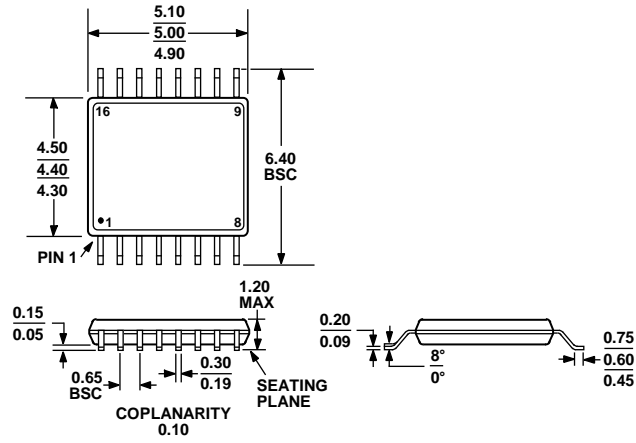


Figure 30. Channel-to-Channel Crosstalk

$$\text{CROSSTALK} = 20 \log \frac{V_{OUT}}{V_S}$$

03275-030

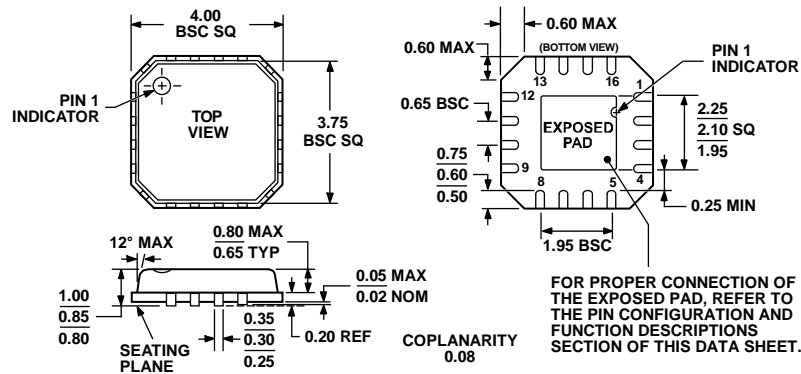
## OUTLINE DIMENSIONS



COMPLIANT TO JEDEC STANDARDS MO-153-AB

Figure 31. 16-Lead Thin Shrink Small Outline Package [TSSOP]  
(RU-16)

Dimensions shown in millimeters



COMPLIANT TO JEDEC STANDARDS MO-220-VGGC

Figure 32. 16-Lead Frame Chip Scale Package [LFCSP\_VQ]  
4 mm × 4 mm Body, Very Thin Quad  
(CP-16-4)

Dimensions shown in millimeters

## ORDERING GUIDE

| Model                         | Temperature Range | Package Description                               | Package Option |
|-------------------------------|-------------------|---|----------------|
| ADG633YRU                     | -40°C to +125°C   | 16-Lead Thin Shrink Small Outline Package (TSSOP) | RU-16          |
| ADG633YRU-REEL7               | -40°C to +125°C   | 16-Lead Thin Shrink Small Outline Package (TSSOP) | RU-16          |
| ADG633YRUZ <sup>1</sup>       | -40°C to +125°C   | 16-Lead Thin Shrink Small Outline Package (TSSOP) | RU-16          |
| ADG633YRUZ-REEL7 <sup>1</sup> | -40°C to +125°C   | 16-Lead Thin Shrink Small Outline Package (TSSOP) | RU-16          |
| ADG633YCP                     | -40°C to +85°C    | 16-Lead Lead Frame Chip Scale Package (LFCSP_VQ)  | CP-16-4        |
| ADG633YCP-REEL7               | -40°C to +85°C    | 16-Lead Lead Frame Chip Scale Package (LFCSP_VQ)  | CP-16-4        |
| ADG633YCPZ <sup>1</sup>       | -40°C to +85°C    | 16-Lead Lead Frame Chip Scale Package (LFCSP_VQ)  | CP-16-4        |
| ADG633YCPZ-REEL7 <sup>1</sup> | -40°C to +85°C    | 16-Lead Lead Frame Chip Scale Package (LFCSP_VQ)  | CP-16-4        |

<sup>1</sup> Z = RoHS Compliant Part.

**NOTES**



**ADG633**

**NOTES**